

Mark 93 Series

Sanitary Steam Traps

The Mark 93 is a balanced port, thermostatic steam trap designed specifically for use in validated clean steam systems. The sanitary design follows ASME BPE guidelines including a 20Ra µin finish on all internal wetted parts, self-draining design, and all relevant materials, marking and documentation guidelines.

The MK93 has been specifically designed to provide higher flow rates at low pressures and low subcooling levels. **In lab testing, the MK93 consistently exhibited excellent flow rates at subcooling levels of less than 3°F or less (<1,7°C).** Note: Low subcooling operation insures that condensate won't back up and wet (cool) the upstream validated temperature sensor.

There are two base designs within the MK93 product range: the standard MK93 – good for differential pressures (P1) up to 50 psi (3,4 bar), and the MK93 Option "P" for differential pressures ranging from 45 – 90 psi (3,1 – 6,2 bar). Both designs are rated to 90 psi (6,2 bar) operating pressure but are recommended for use within the specified inlet pressure ratings.

During start-up, the bellows element is contracted and fully open to discharge all non-condensable gas and condensate. The heat of entering steam causes the element to expand, closing the valve. As condensate accumulates in the body, the element cools, causing the bellows/stem tip to retract allowing condensate to drain.

Features

- Low subcooling operation reduces probability of temperature validation faults and resultant SIP delays
- CRN Registration Number available
- Thermostatic steam trap in 316L stainless steel that is designed for clean steam tracing, drip-leg and process applications
- All 316L stainless steel housing and internals
- Polished components – body interior and exterior are mechanically polished to 20Ra and 40Ra finish respectively
- Sanitary clamp ends standard, other ends (tube weld, threaded, ISO/DIN) available upon request
- Self draining when installed vertically (outlet side down)
- New design provides excellent flow rates with low subcooling

NEW! Horizontal connections available

(See lay-in dimension changes on pages 7-12)



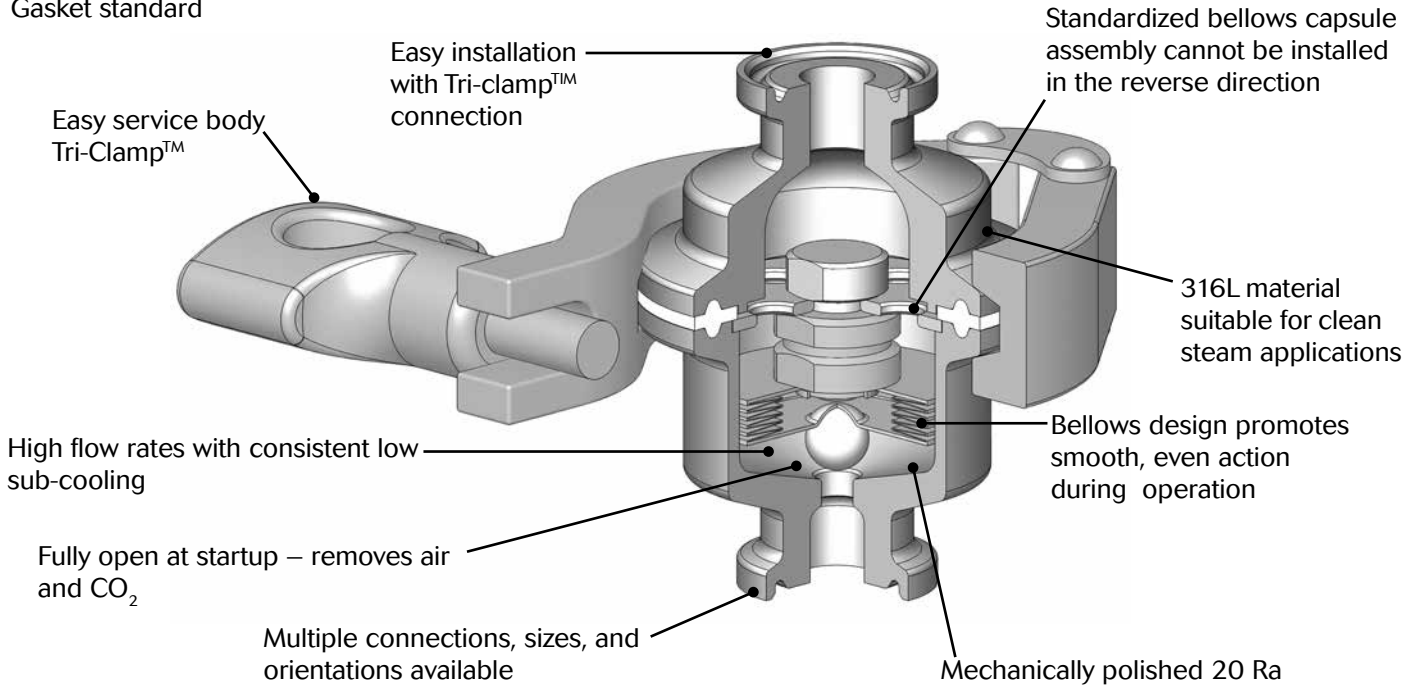
- FDA and USP Class VI TFE-VIT gasket standard on clamped body, or FDA and USP Class o-ring on bolted option
- Option for electropolished body
- Warranties:
 - 5 year material and workmanship
 - 2 year low subcooling performance

Applications

- Typical applications are: sterilization drainage for fermenters, bioreactors, separation and filtration equipment, lyophilizers, autoclaves, process piping equipment and steam barriers
- Condensate drainage from process systems using clean steam – fermenters, bioreactors, SIP systems and sterilizers

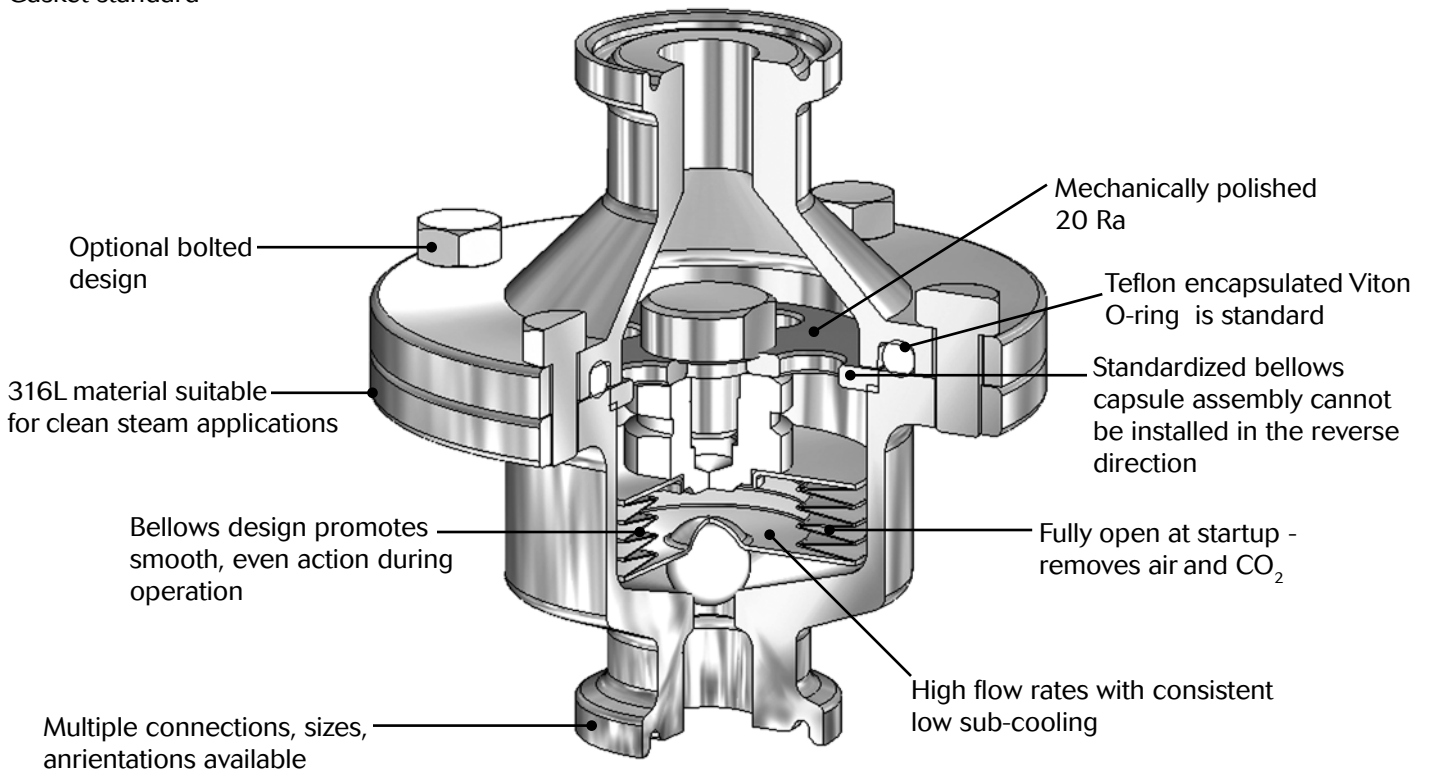
FEATURES & BENEFITS – MK93 WITH TRI-CLAMP ENDS

FDA, USP Class VI
Gasket standard



FEATURES & BENEFITS – MK93 WITH BOLTED BODY WITH TRI-CLAMP ENDS

FDA, USP Class VI
Gasket standard



SPECIFICATIONS

Sizes:

- 1/2", 3/4", 1", 1-1/2"
- DIN DN15, DIN DN20, DIN DN25, DIN DN40
- ISO DN15, ISO DN20, ISO DN25, ISO DN40

End Connections

- ASME
- DIN/ISO Sanitary Connections
- ASME/DIN/ISO Tube Ends

Material

- Body Inlet/Outlet: 316L Stainless Steel
- Thermal Element: 316L Stainless Steel
- O-Ring-Gasket: Standard: Viton, Teflon Encapsulated (FDA, USP Class VI approved); Optional: Tuff Steel or SilverBack (others upon request)
- Clamp: 304 SST

Nominal Cv: 3.8

Design Pressure/Temperature Rating

- Maximum Allowable Pressure (PMA): 145 psig (10,0 bar)
- Maximum Allowable Temperature (TMA): 350°F (177°C)

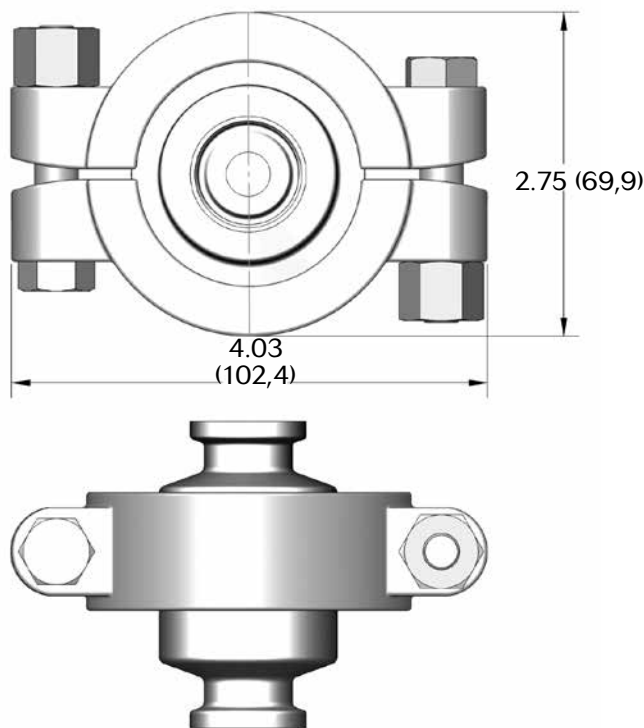
Maximum Recommended Differential Pressure

- MK93: 10 – 50 psi (0,7 – 3,4 bar)
- MK93 Option P: 45 – 90 psi (3,1 – 6,2 bar)

CRN Registration Number: OC12623.5

DIMENSIONS - VERTICAL CONNECTIONS

Bolted Tri-Clamp (1/2", 3/4", DN15, DN20)



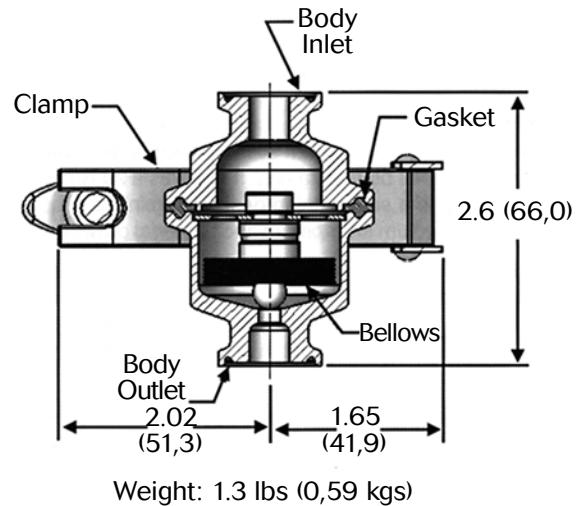
Weight: 1.4 lbs (0,64 kgs)

FLOW CAPACITY TABLE

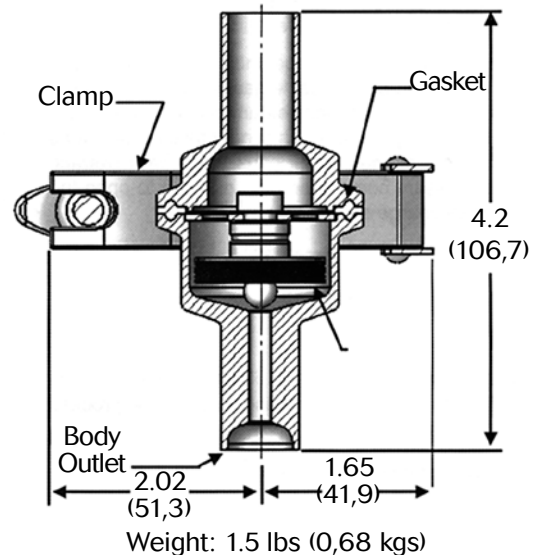
Condensate Temp Below Saturation (Subcooled Temp)	Capacity - lbs/hr (kg/hr) @ Differential Pressure - psi (bar)					
	10 (0,69)	20 (1,38)	30 (2,07)	50 (3,45)	75 (5,17)	90 (6,21)
5°F lbs/hr	195 (88,5)	373 (169)	549 (249)	870 (395)	1012 (459)	1165 (528)
10°F lbs/hr	490 (222)	813 (369)	1142 (518)	1715 (778)	2207 (1001)	2437 (1105)
20°F lbs/hr	1127 (511)	1697 (770)	2202 (999)	3074 (1394)	3932 (1784)	4139 (1877)
Cold Water lbs/hr	2580 (1170)	3648 (1655)	4468 (2027)	5768 (2616)	6944 (3150)	7504 (3404)

DIMENSIONS - VERTICAL CONNECTIONS

Tri-Clamp Ends (1/2", 3/4", DN15, DN20)

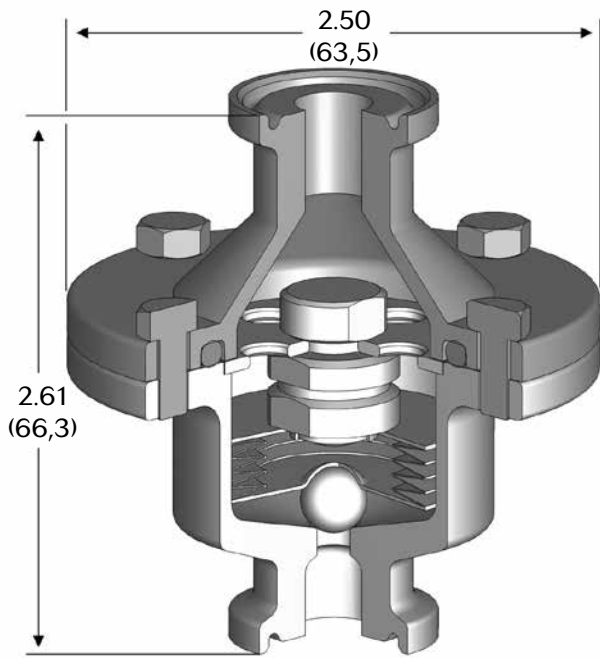


Tube Weld Ends (1/2", 3/4", DN15, DN20)



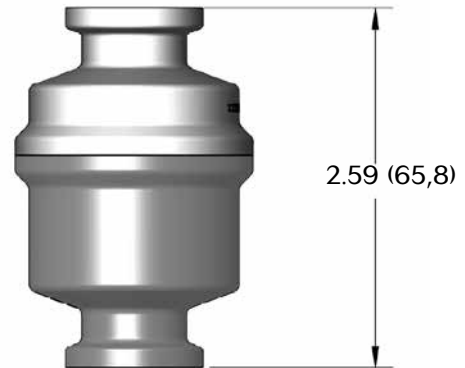
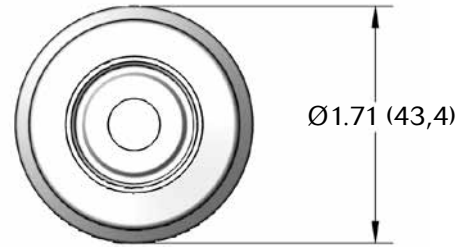
DIMENSIONS - VERTICAL CONNECTIONS

Bolted Body (93B) (1/2", 3/4", DN15, DN20)



Weight: 1.2 lbs (0,55 kgs)

Welded Joint (93W) (1/2", 3/4", DN15, DN20)

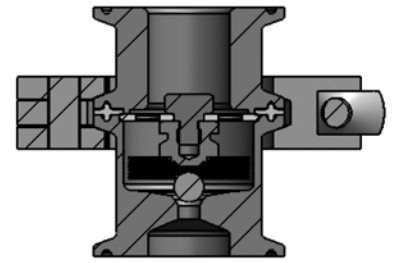
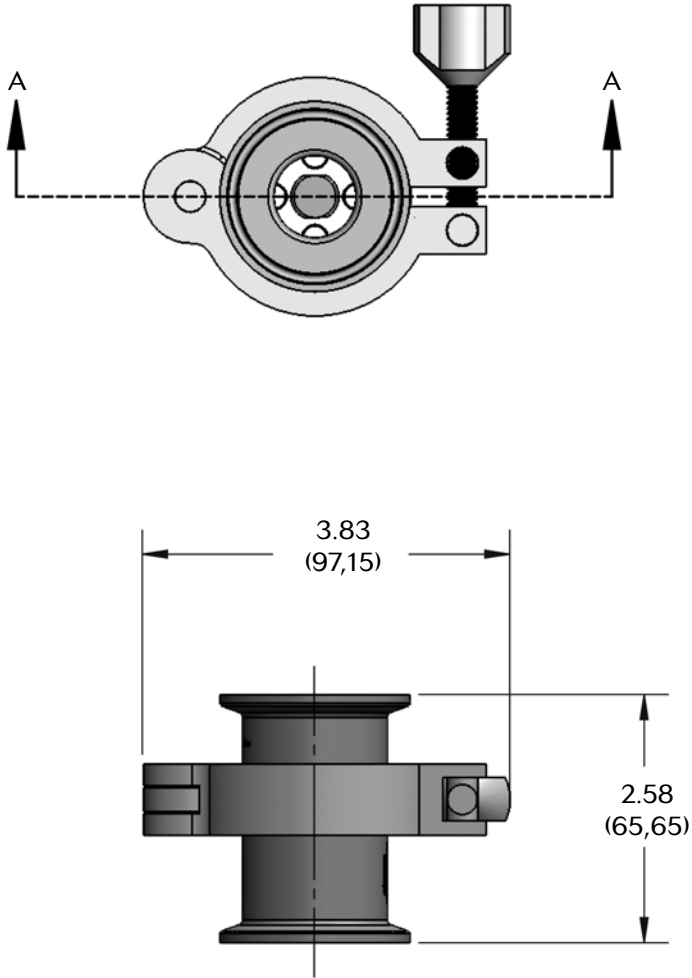


Weight: 1.0 lbs (0,45 kgs)

MK93 SANITARY STEAM TRAPS

DIMENSIONS - VERTICAL CONNECTIONS

MK93C 1", DN25 Series

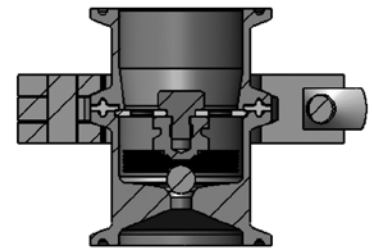
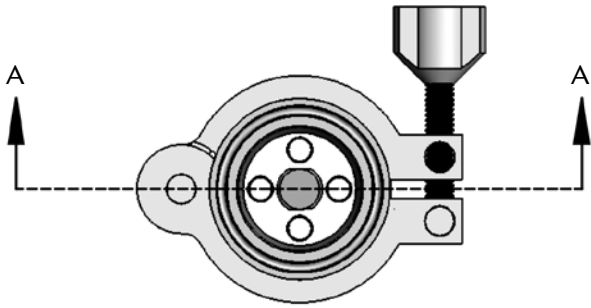


Section A-A

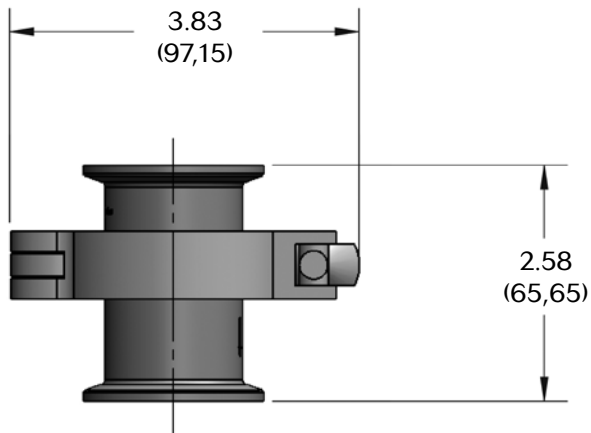
MK93 SANITARY STEAM TRAPS

DIMENSIONS - VERTICAL CONNECTIONS

MK93C 1-1/2", DN40 Series



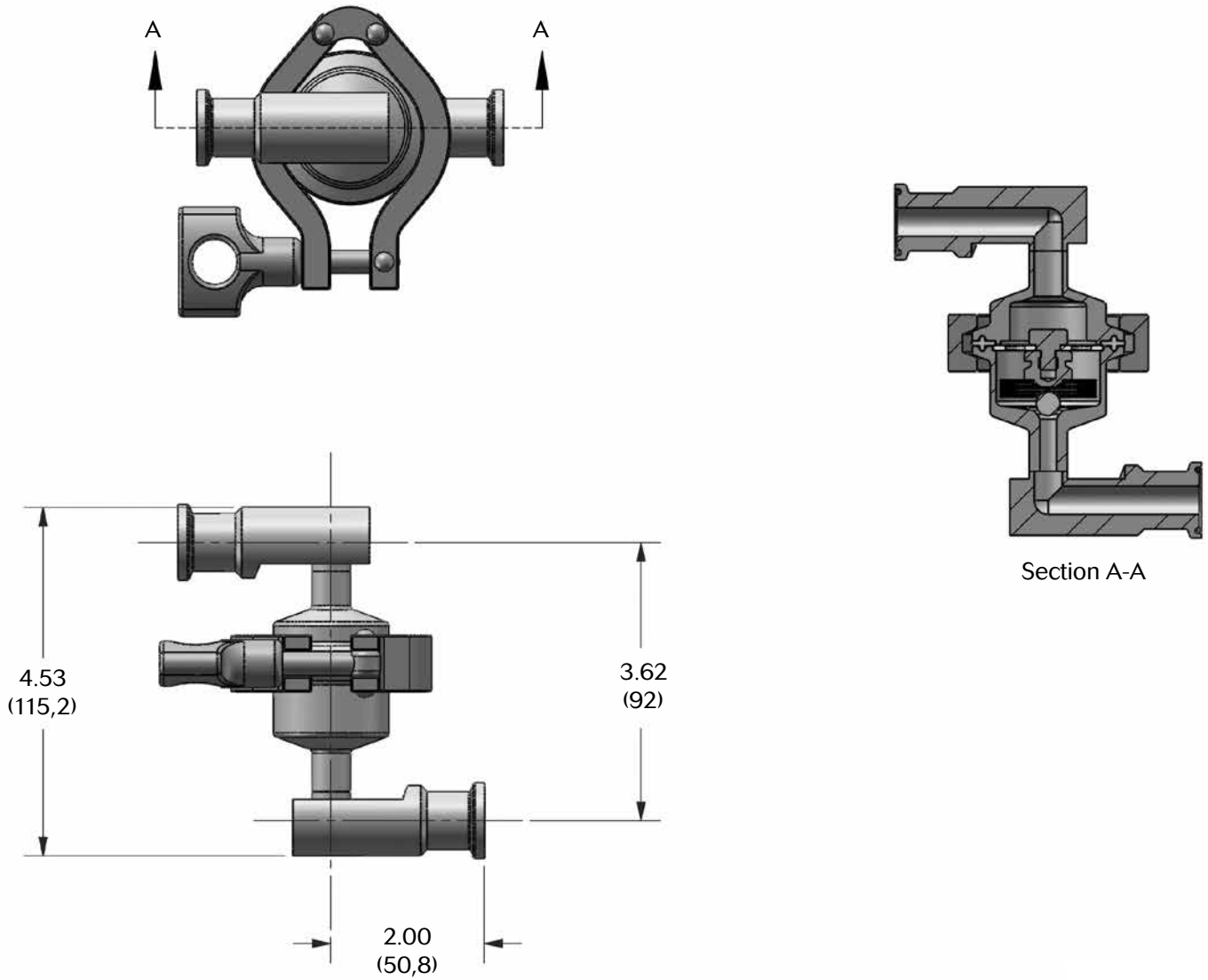
Section A-A



MK93 SANITARY STEAM TRAPS

DIMENSIONS - HORIZONTAL CONNECTIONS

*MK93C 1/2", DN15 Horizontal Inlet/Outlet (CHCH, MHMH, PPH)**

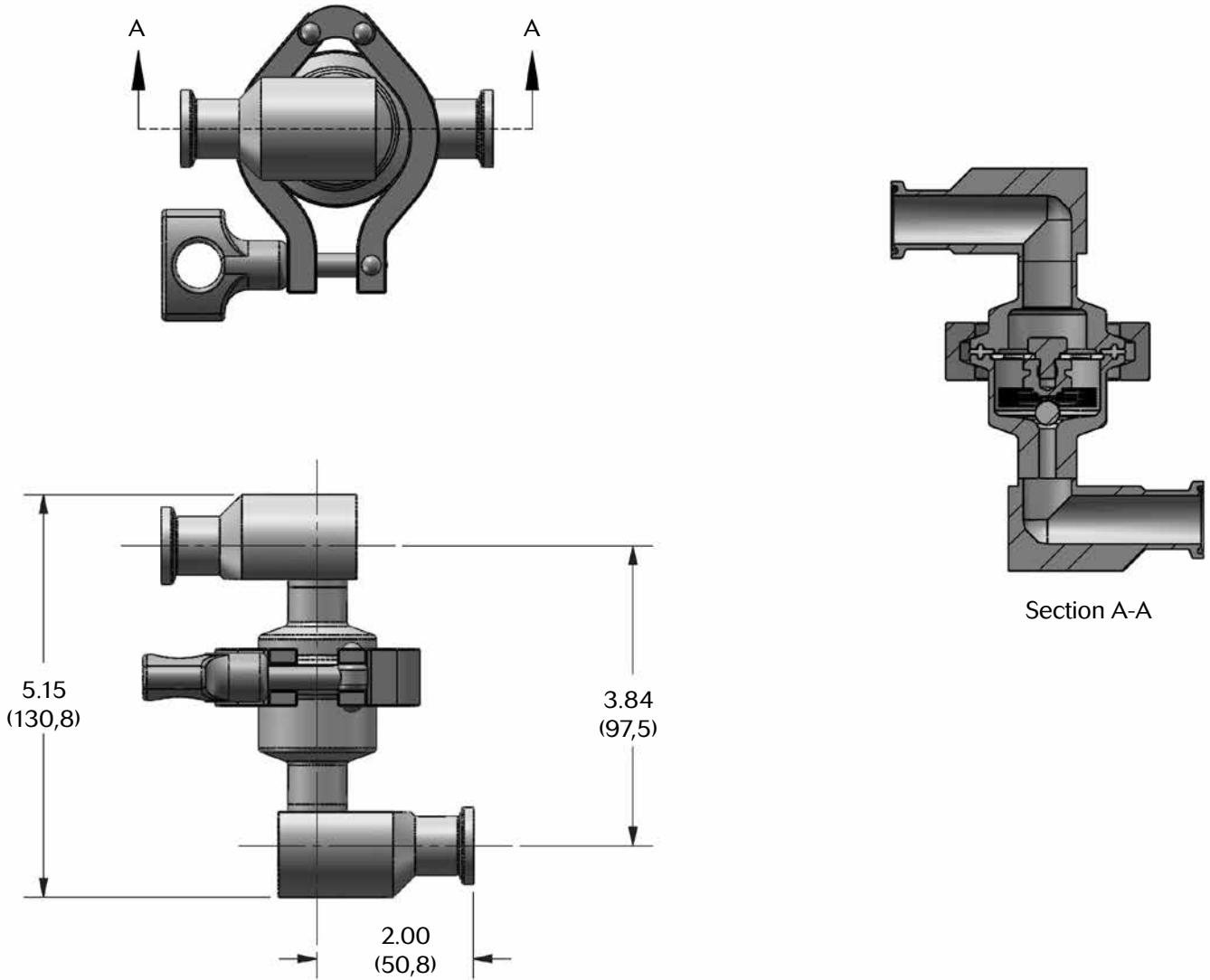


*** Note: Installation lay-in dimension were changed on this model in 2014.**

MK93 SANITARY STEAM TRAPS

DIMENSIONS - HORIZONTAL CONNECTIONS

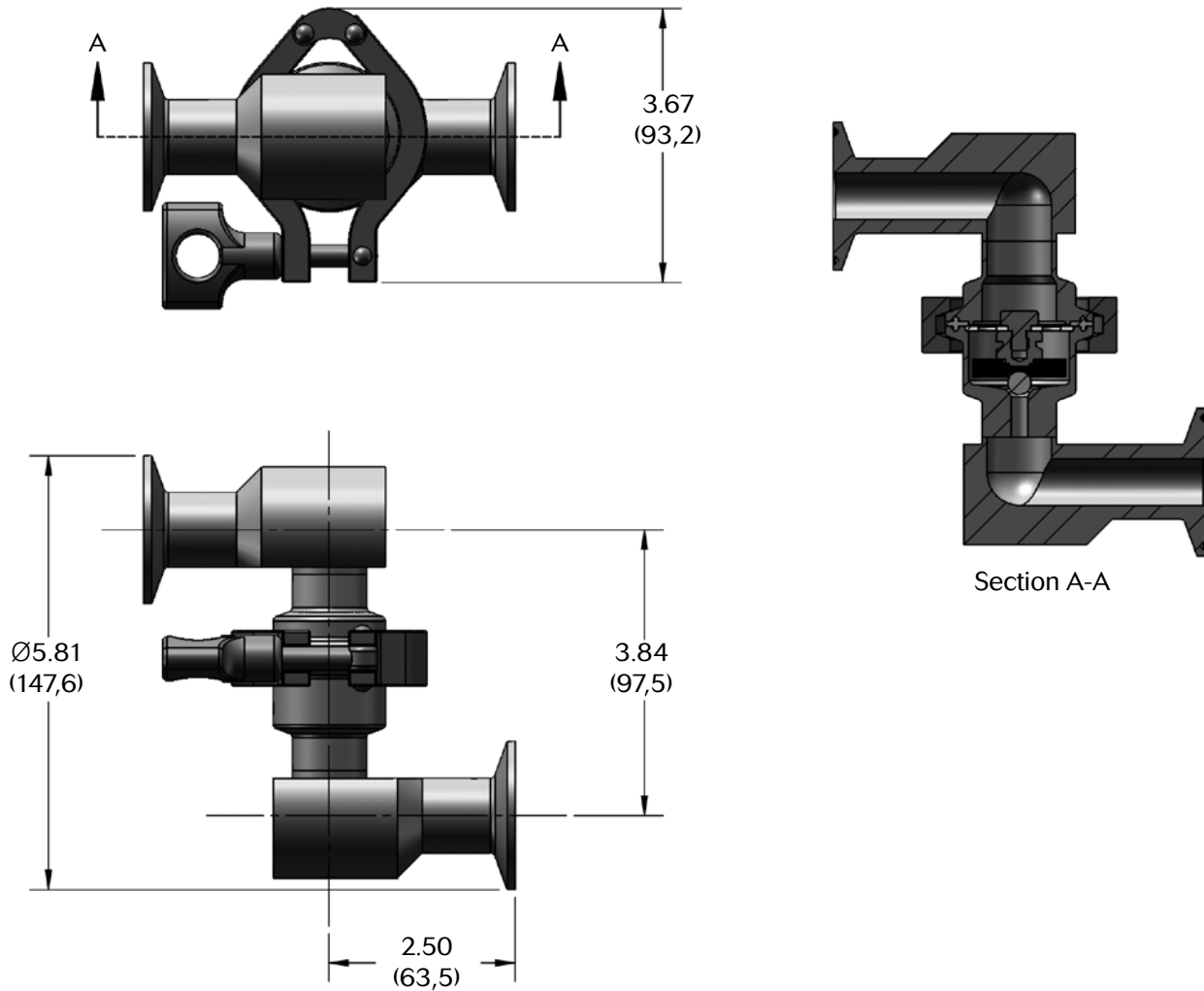
*MK93C 3/4", DN20 Horizontal Inlet/Outlet (CHCH, MHMH, PPHH)**



*** Note: Installation lay-in dimension were changed on this model in 2014.**

DIMENSIONS - HORIZONTAL CONNECTIONS

*MK93C 1", DN25 Horizontal Inlet/Outlet (CHCH, MHMH, PPH)**

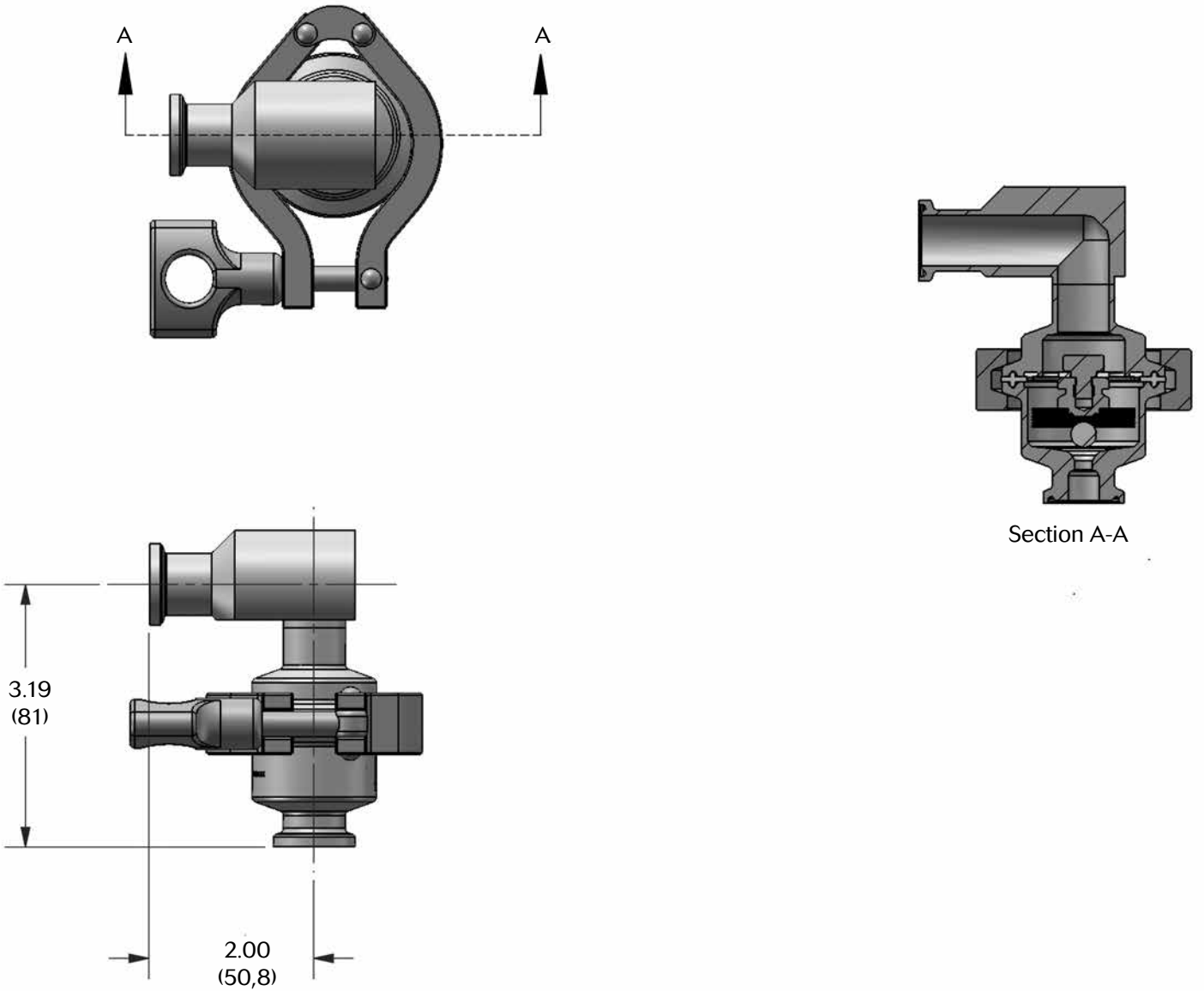


*** Note: Installation lay-in dimension were changed on this model in 2014.**

MK93 SANITARY STEAM TRAPS

DIMENSIONS - HORIZONTAL CONNECTIONS

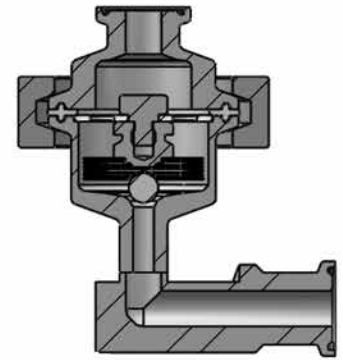
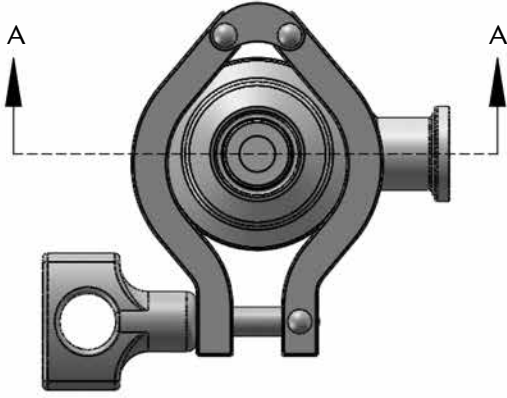
*MK93C 3/4", DN20 Horizontal Inlet/Vertical Outlet (CHCV, MHMV, PHPV)**



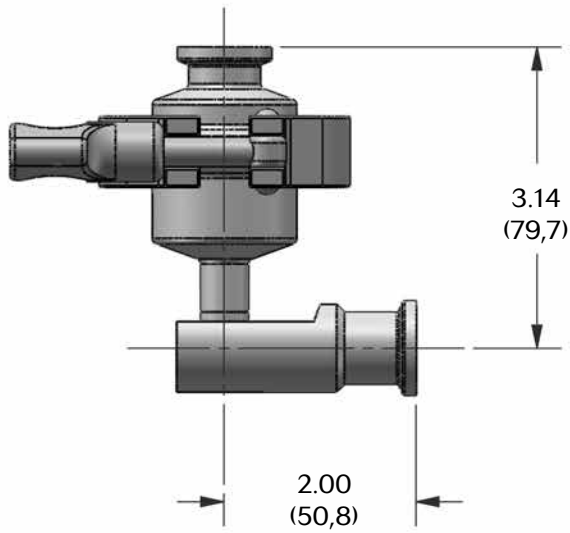
*** Note: Installation lay-in dimension were changed on this model in 2014.**

DIMENSIONS - HORIZONTAL CONNECTIONS

*MK93C 1/2", DN15 Vertical Inlet/Horizontal Outlet (CVCH, MVMH, PVPH)**



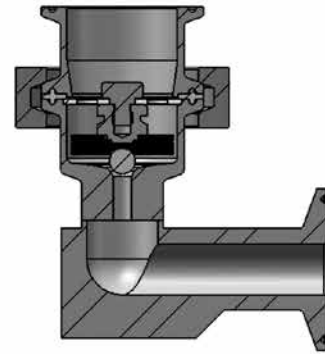
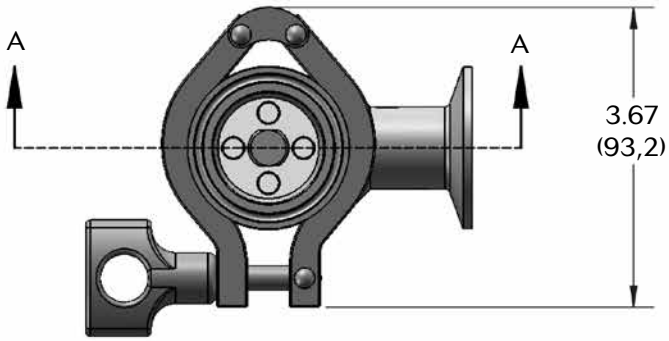
Section A-A



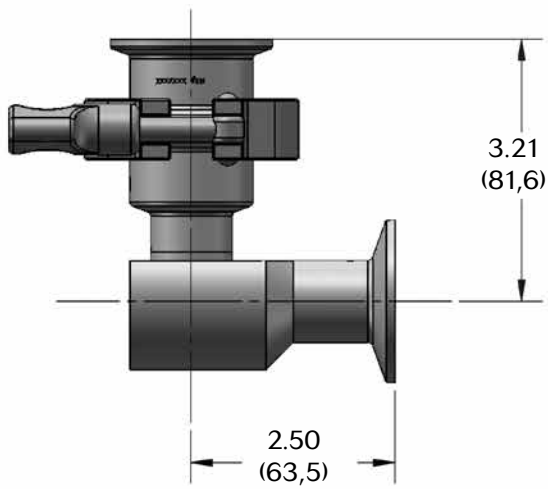
*** Note: Installation lay-in dimension were changed on this model in 2014.**

DIMENSIONS - HORIZONTAL CONNECTIONS

*MK93C 1", DN25 Vertical Inlet/Horizontal Outlet (CVCH, MVMH, PVPH)**



Section A-A



*** Note: Installation lay-in dimension were changed on this model in 2014.**

ORDERING SCHEMATIC

NOTE: If ordering a 1/2" or 3/4" MK93 with horizontal connections to replace a previous purchase, or ordering an identical model for a new process, PLEASE NOTE THAT THE LAY-IN DIMENSIONS CHANGED IN 2014. Call Steriflow, or your Steriflow representative if you have questions.

Model	Body	–	Size	–	End Connections	–	Special Options
93	C		050		C		P

1	Model/Body Joint
93C	Tri-Clamp Body/Wingnut Clamp
93B	Bolted Body
93K	Tri-Clamp Body/Bolted Clamp
93W	Compact, Welded Body

2	Size	
050	1/2"	DN15
075	3/4"	DN20
100*	1"	DN25
150*	1-1/2"	DN40

* Note: 1" and 1-1/2" (DN25, DN50) tubing size is generally used in higher condensate load applications. Make sure you check the capacity chart on page 3 to ensure the MK93 can handle your condensate load. If not, the MK94 or MK934 may be a more appropriate model choice.

4	Options
B	20 Ra Ext. - Body Only
E	TFE/EPDM, FDA USP Class VI
G	Tuf-Steel, TFE/SST Body Gasket, FDA USP Class VI
S	Silverback Gasket TFE/SST Body Gasket, USP Class VI
P ¹	High Pressure Bellows
L	Electropolish MK93C or K Body
R	Electropolish, MK93B Bolted Body
F7*	TFE/Viton FDA, USP Class VI @ 250°F (121°C)

1 For applications with inlet pressure > 45 psi (3 bar)

* Document Part #25384 required when ordering

Note: if no gasket is specifically requested, a TFE/Viton gasket is provided

3		End Connections			
Inlet		Outlet			
C				Inch Tri-Clamp Vertical Inlet/Outlet	
S ^{*v}				ISO Tri-Clamp Vertical Inlet/Outlet	
D ^{****}				DIN Tri-Clamp Vertical Inlet/Outlet	
N				NPT Threaded Inlet/Outlet	
B				BSPT Threaded Inlet/Outlet	
T				Inch Tube Vertical Inlet/Outlet	
M ^{**}				DIN Tube Vertical Inlet/Outlet	
P ^{***}				ISO Tube Vertical Inlet/Outlet	
Z				Non-Standard	
C	H	C	H	Inch Tri-Clamp Horizontal Inlet/Outlet*	
C	H	C	V	Inch Tri-Clamp Horizontal Inlet/Vertical Outlet*	
C	V	C	H	Inch Tri-Clamp Vertical Inlet/Horizontal Outlet*	
M	H	M	H	Din Tri-Clamp Horizontal Inlet/Outlet	
M	H	M	V	Din Tri-Clamp Horizontal Inlet/Vertical Outlet	
M	V	M	H	Din Tri-Clamp Vertical Inlet/Horizontal Outlet	
P	H	P	H	ISO Tri-Clamp Horizontal Inlet/Outlet	
P	H	P	V	ISO Tri-Clamp Horizontal Inlet/Vertical Outlet	
P	V	P	H	ISO Tri-Clamp Vertical Inlet/Horizontal Outlet	

* Not available on 93W compact welded body

** According to DIN 11866

*** According to ISO DIN 11866 line B, ISO 1127

**** According to DIN 32676 Row A

*v According to DIN 32676 Row B

Note: Horizontal connection: trap lay-in dimension changed in 2014

Steriflow Valve reserves the right to make revisions to its products, specifications, literature, and related information without notice. Please visit our website at www.steriflowvalve.com for the latest information on our products.